

# How to get involved

---

Come to a meeting!  
Meetings are open to everyone.  
For more information:  
MTPC  
PO Box 301897  
Jamaica Plain, MA 02130  
Email [info@masstpc.org](mailto:info@masstpc.org)  
Visit [www.masstpc.org](http://www.masstpc.org)  
Call 617-983-0219  
Join our general announcement list  
serve, get updates on local  
transgender news, events, and  
actions, join on our website or email  
[mtpcannounce-subscribe@yahoo.com](mailto:mtpcannounce-subscribe@yahoo.com)

## When and where do we meet:

---

**Boston**  
**2nd Monday** of the month at 7pm  
at BAGLY 14 Beacon St **1st Floor**,  
Green, Red & Orange line  
Park St - Downtown Crossing area

**Western Massachusetts**  
Email [west@masstpc.org](mailto:west@masstpc.org)  
**North Shore**  
Email [nnangeroni@masstpc.org](mailto:nnangeroni@masstpc.org)

## FAQ regarding gender identity/ transgender protections in Massachusetts

### What cities in Massachusetts currently offer protections to transgender/gender-variant people?

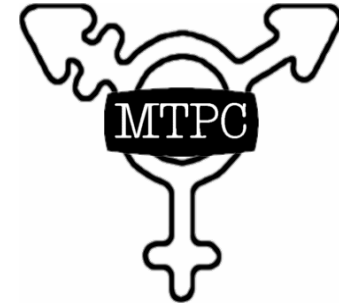
In 1997, Cambridge passed an ordinance prohibiting discrimination on the basis of gender identity and expression.

Boston became the second city to offer such protections in Oct 2002.

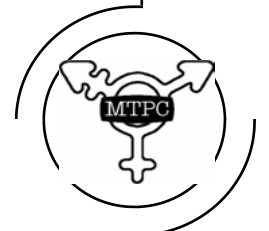
Northampton is the third city to offer protections since Dec 2005

### What other legal protections exist in Massachusetts?

In October of 2001, the Massachusetts Commission Against Discrimination (MCAD), a state agency that enforces the state's non-discrimination laws, issued two rulings finding that transgender people are protected under the state's laws prohibiting discrimination on the basis of sex and disability. While the MCAD rulings represent a state agency's interpretation, they do not have the force of law and are not binding on courts.



## Massachusetts Transgender Political Coalition



[info@masstpc.org](mailto:info@masstpc.org)

[www.masstpc.org](http://www.masstpc.org)

## Who we are:

---

### MISSION AND VALUES

The Massachusetts Transgender Political Coalition (MTPC) is dedicated to ending discrimination on the basis of gender identity and gender expression. We educate the public, lobby state and local government, encourage political activism, and empower community members through collective action.

The MTPC's work is guided by the following values: equal rights and institutional responsibility; working against all forms of oppression; building broad-based participation and community power; developing leaders and building coalitions; drawing strength from diverse experiences and identities; being informed by our history and elders; growing through challenge and critique; being inclusive of those who cannot be fully visible; and accountability to the communities for which we work.

## What were doing:

---

### College Transgender Organizing E-list Serve

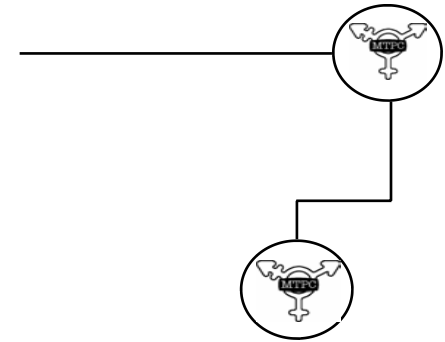
MTPC started an e-list serve for any students, faculty or campus employee currently organizing or interested in organizing around transgender issues on either high school or college campuses. To join the list serve email: [mtpccollege-subscribe@yahoo.com](mailto:mtpccollege-subscribe@yahoo.com)

### Yearly MTPC Transgender Town Hall Meeting

Open to everyone. This free event for transgender and allied communities to network, give feedback, share resources and get updates on the work of MTPC's local, state, and national policy efforts. Members of MTPC present the past years work take feedback from the community for the next years work. This event happens in the fall.

### Online statewide resource guide

that includes everything from doctors, support groups, current policies/laws, and organizing materials. This resource guide is open to anyone to add and edit, with computer access, because of the **Wiki** format.



## What we're working on:

---

- Building state-wide coalition of transgender activists.
- Working towards state-wide protections for gender identity/ gender expression.
- Advocating for policy changes at the RMV, homeless shelters, domestic violence/sexual assault programs, and support services.
- Advocating on Federal Legislation such as the Hate Crimes and Employment Non-Discrimination.
- Supporting Trans Day of Remembrance activities.
- Building coalition with other LGBT and ally organizations.